

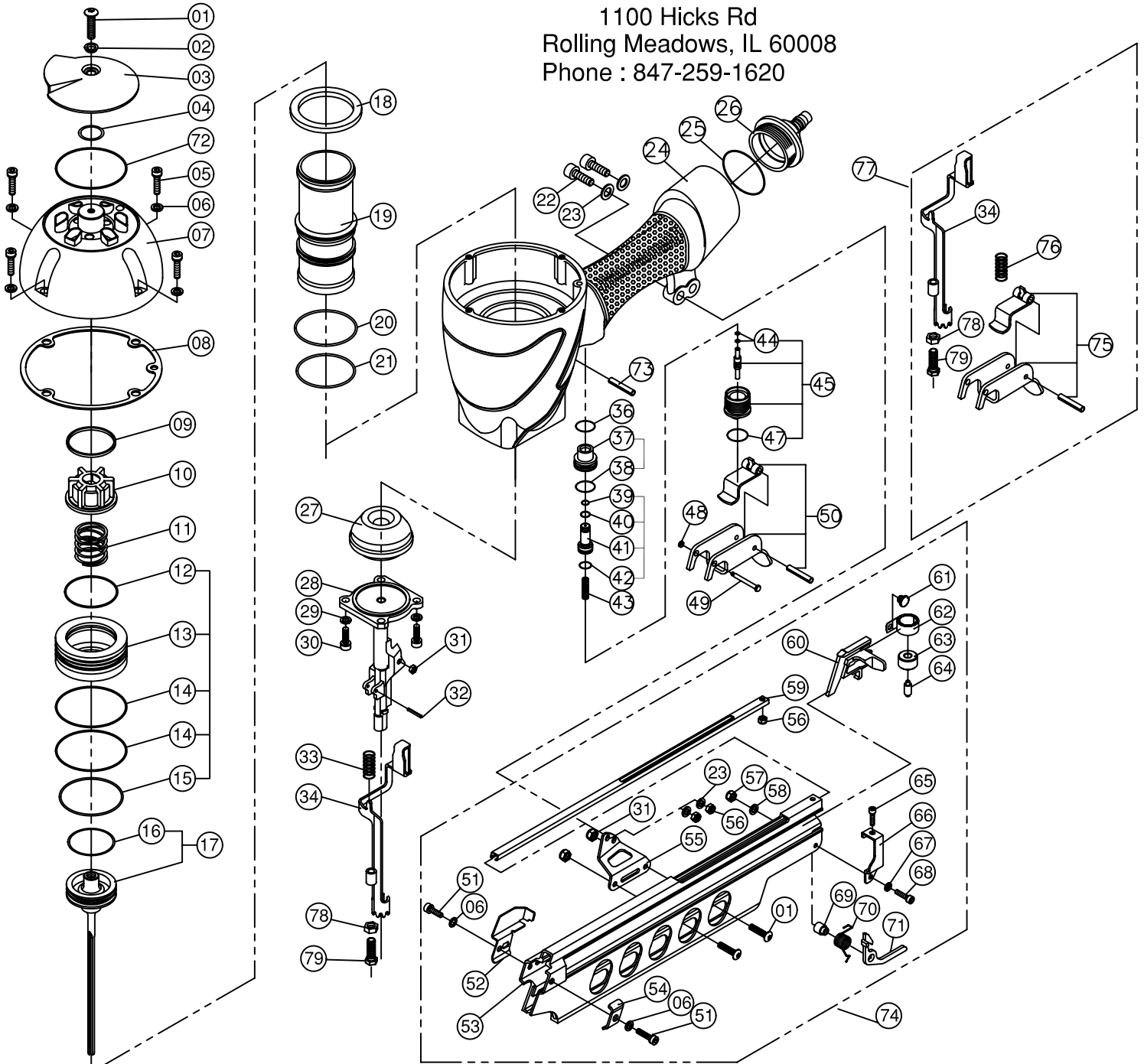
# MODEL YPR9017

THIS TOOL EQUIPPED WITH  
A RESTRICTIVE TRIGGER

# SPOTNAILS<sup>®</sup>

DIVISION OF PEACE INDUSTRIES, LTD.

1100 Hicks Rd  
Rolling Meadows, IL 60008  
Phone : 847-259-1620



## SPOTNAILS MODEL YPR9017

Ref No.	Part No.	Description
1	P-24386	Screw
2	P-03075	Bushing
3	P-70044	Exhaust Deflector
4	P-64377	O-Ring
5	P-24314	Socket Head Cap Screw
6	P-32169	Flat Washer
7	P-60177	Cap
8	P-62073	Gasket
9	P-03076	Spacer
10	P-15204	Exhaust Seal
11	P-18442	Poppet Spring
12	P-64399	Poppet O-Ring
13	P-63040	Poppet
14	P-64400	Poppet O-Ring
15	P-64401	Cylinder Seal O-Ring
16	P-64305	Piston O-Ring
17	AS-06047	Piston & Driver Assembly
18	P-03077	Guide Spacer
19	P-05101	Cylinder
20	P-64402	Cylinder O-Ring
21	P-64403	Cylinder O-Ring
22	P-24358	Socket Head Cap Screw
23	P-32170	Washer
24	P-01262	Body
25	P-64312	O-Ring
26	P-60156	End Cap
27	P-15205	Bumper
28	P-08449	Nose
29	P-32174	Washer
30	P-24384	Socket Head Cap Screw
31	P-26143	Lock Nut
32	P-07297	Nose Pin
33	P-18282	Safety Spring
34	P-53180	Safety
36	P-64332	Valve Housing O-Ring
37	P-22144	Trigger Valve Cap
38	P-64333	O-Ring
39	P-64334	O-Ring
40	P-64335	O-Ring

Ref No.	Part No.	Description
41	P-22145	Pilot Valve
42	P-64336	O-Ring
43	P-18227	Spring
44	P-64383	Plunger O-Ring
45	AS-22037	Plunger Assembly
47	P-64328	O-Ring
48	P-64240	O-Ring
49	P-07327	Trigger Pin
50	AS-21008	Bump Fire Trigger
51	P-24383	Socket Head Cap Screw
52	P-13052	Nose Bracket Right
53	P-12477	Magazine
54	P-13053	Nose Bracket Left
55	P-13092	Bracket
56	P-26126	Lock Nut
57	P-26144	Lock Nut
58	P-32171	Washer
59	P-27177	Wear Insert
60	P-09168	Pusher
61	P-07281	Negator Spring Pin
62	P-18285	Negator Spring
63	P-20032	Negator Spring Drum
64	P-07282	Negator Spring Pin
65	P-24388	Socket Head Cap Screw
66	P-13055	Rear Guard Bracket
67	P-32220	Washer
68	P-24387	Socket Head Cap Screw
69	P-03057	Spacer
70	P-18286	Latch Spring
71	P-04056	Pusher Latch
72	P-64404	O-Ring
73	P-07262	Safety Pin
74	AS-12181	Magazine Assembly
75	AS-21020	Restrictive Trigger
76	P-18267	Spring
77	AS-97307	Restrictive Trigger Kit
78	P-26143	Lock Nut
79	P-24484	Flush Adjustment Bolt

◆ Parts Included in AS-97289 O-Ring and Seal Kit