

MODEL XC1008

SPOTNAILS[®]

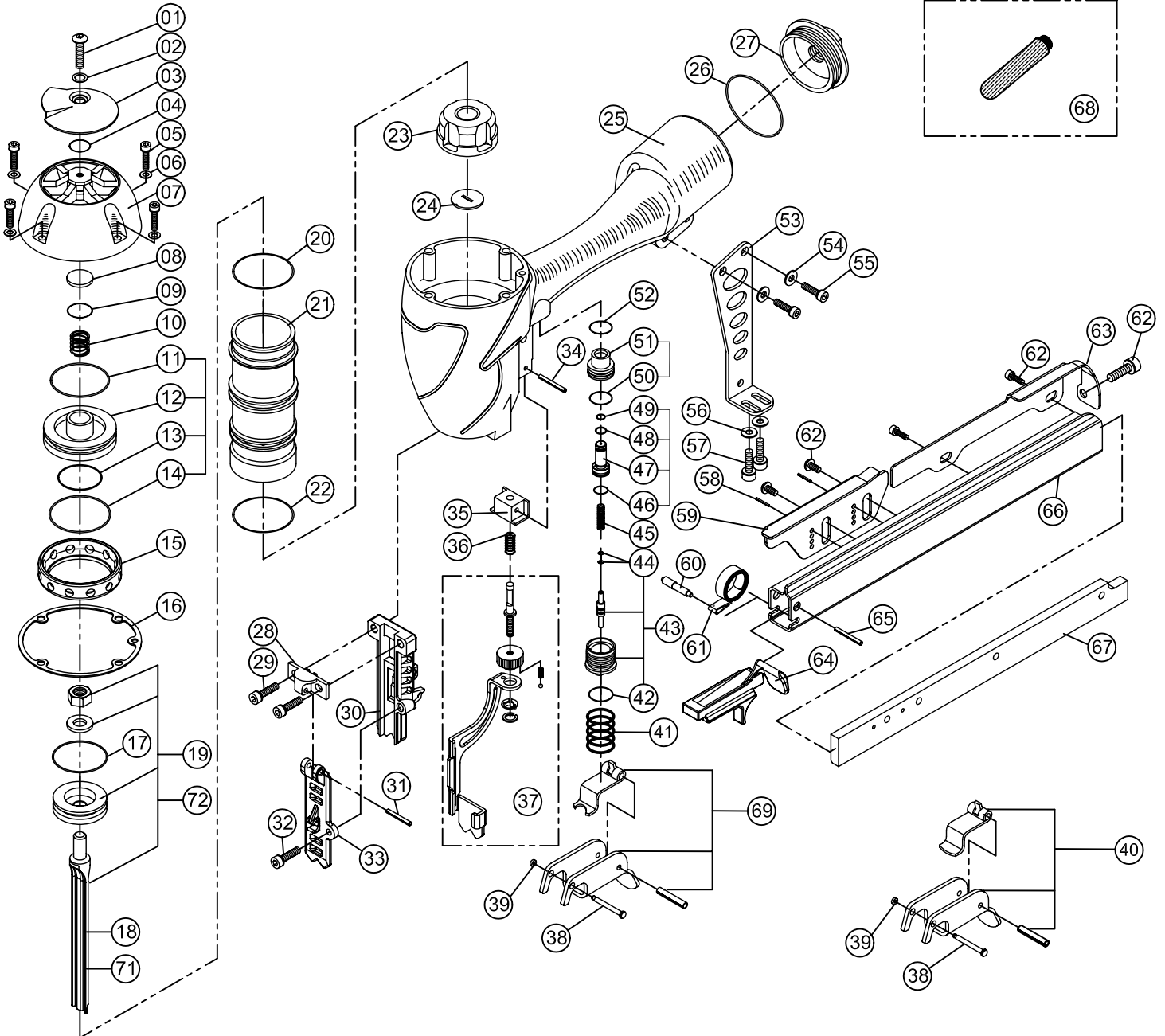
DIVISION OF PEACE INDUSTRIES, LTD.

1100 Hicks Rd

Rolling Meadows, IL 60008

Phone : 847-259-1620

www.spotnails.com



6/3/2011

SPOTNAILS MODEL XC1008

Ref No.	Part No.	Description	Ref No.	Part No.	Description
01	P-24370	Screw	37	AS-53072	Safety Assembly
02	P-96118	Bushing	38	P-07327	Trigger Pin
03	P-70041	Exhaust Deflector	39	P-64240	O-Ring
04	P-64377	O-Ring	40	AS-21023	Trigger Assembly
05	P-24300	Cap Screw	41	P-18440	Spring
06	P-32211	Flat Washer	42	P-64328	O-Ring
07	P-60172	Cap	43	AS-22037	Plunger Assembly
◆ 08	P-15187	Exhaust Seal	◆ 44	P-64383	Plunger O-Rings
◆ 09	P-64378	O-Ring	45	P-18227	Spring
10	P-18327	Poppet Spring	◆ 46	P-64336	O-Ring
◆ 11	P-64028	Poppet O-Ring	47	P-22145	Pilot Valve
12	P-63037	Poppet	◆ 48	P-64335	O-Ring
◆ 13	P-64379	Piston Stop O-Ring	◆ 49	P-64334	O-Ring
◆ 14	P-64380	Cylinder Seal O-Ring	◆ 50	P-64333	O-Ring
15	P-03079	Guide Spacer	51	P-22144	Trigger Valve Cap
◆ 16	P-62070	Gasket	◆ 52	P-64332	Valve Housing O-Ring
◆ 17	P-64228	Piston O-Ring	53	P-13070	Bracket
18	P-06261	Driver Blade 119mm	54	P-32170	Washer
19	AS-06081	Piston & Driver Assembly 119mm	55	P-24312	Screw
◆ 20	P-64330	Cylinder O-Ring	56	P-32171	Washer
21	P-05096	Cylinder	57	P-24511	Screw
◆ 22	P-64419	O-Ring	58	P-07388	Spring Pin
23	P-15188	Bumper	59	P-12492	Magazine Cover (A)
24	P-15235	Return Seal	60	P-07389	Negator Spring Pin
25	P-01269	Body	61	P-18489	Negator Spring
26	P-64312	O-Ring	62	P-24317	Screw
27	P-60156	End Cap	63	P-12493	Magazine Cover (B)
28	P-10276	Stationary Front Plate	64	P-09218	Pusher
29	P-24358	Screw	65	P-07338	Spring Pin
30	P-08498	Wear Plate	66	P-12494	Magazine
31	P-07239	Spring Pin	67	P-12495	Cover Mounting Bar
32	P-24430	Screw	68	P-97454	Filter (Optional)
33	P-10315	Removable Front Plate	69	AS-21026	Restrictive Trigger Assembly (Red)
34	P-07262	Pin	71	P-06262	Driver Blade 116mm
35	P-53165	Safety Guide	72	AS-06082	Piston & Driver Assembly 116mm
36	P-18328	Spring			

◆ Parts Included In AS-97274 O-Ring And Seal Kit