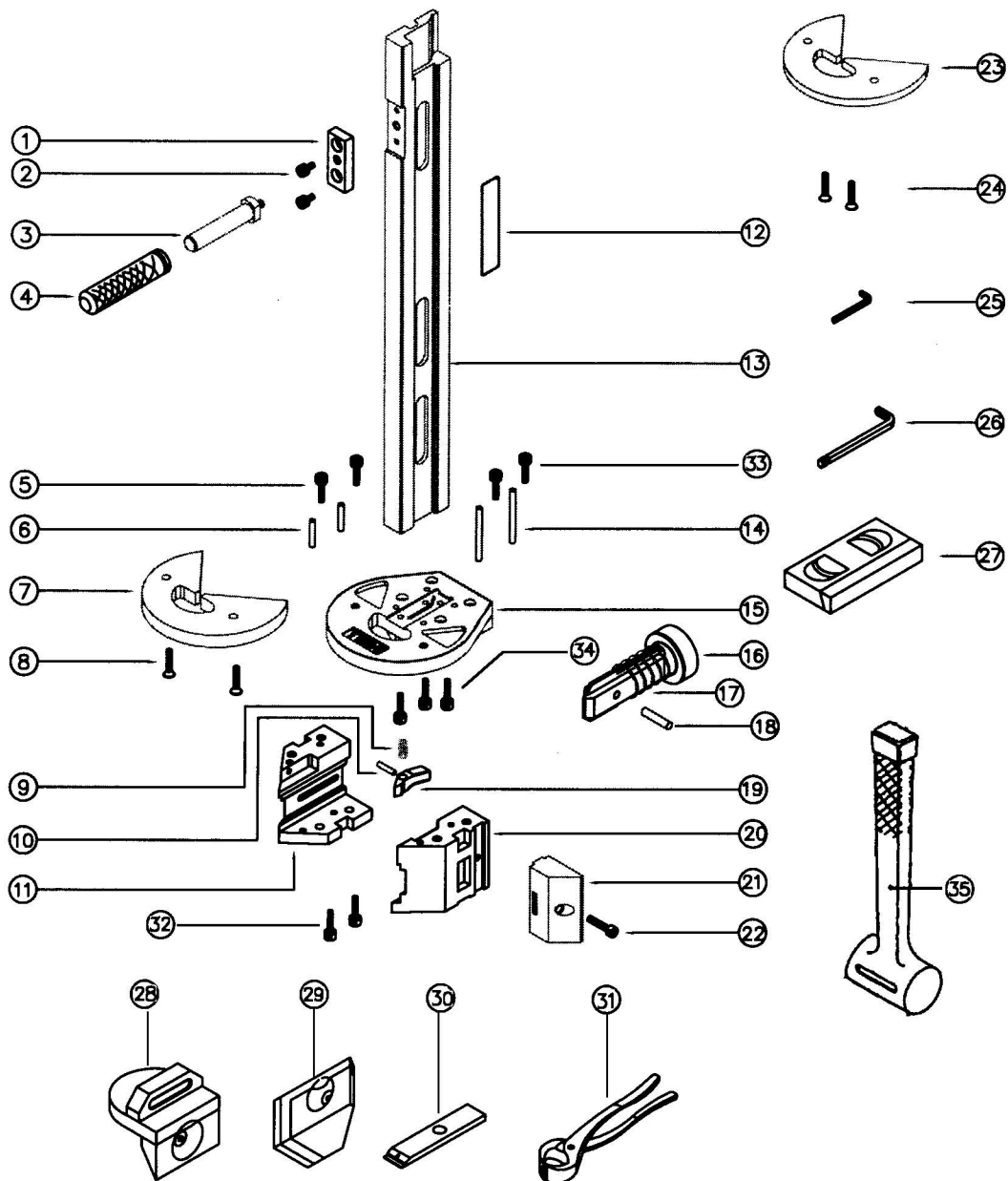


MODEL TEBO 2

SPOTNAILS®
DIVISION OF PEACE INDUSTRIES, LTD.

1100 Hicks Rd.
Rolling Meadows, IL 60008
Phone: 847/259-1620



MODEL TEBO2

Ref. No.	Part No.	Description
1	P-48032	MTG Block
2	P-24428	Socket Head Screw 1/4-20 x 1/4
3	P-96106	Handle
4	P-96105	Rubber Handle
5	P-24417	Bolt
6	P-07312	Pin
7	P-03065	Spacer 5/4
8	P-24427	Flat Head Screw 1/4-20 x 5/8
9	P-18315	Pawl Spring
10	P-07310	Pawl Pin
11	P-96109	Nose Block Right
12	P-98251	Label
13	AS-12156	Magazine Assembly
14	P-07311	Pin
15	P-96107	Mounting Flange
16	AS-06068	Driver & Spring Assembly
17	P-18314	Driver Spring
18	P-07328	Driver Pin
19	P-09180	Retainer Pawl
20	P-96108	Nose Block Left
21	P-35028	Guide Block
22	P-24417	Bolt
23	P-03066	Spacer 1" Adapter
24	P-24426	Flat Head Screw 1/4-20 x 1/2
25	P-99263	Wrench 5/32
26	P-99262	Wrench 3/16
27	P-97749	Instructional Video
28	P-97445	Drill Fixture - Tebo Staple
29	P-97452	Drill Fixture - Tebo Nail
30	P-97450	Leg Bender
31	P-97448	Pliers
32	P-24417	Socket Head Screws
33	P-24417	Socket Head Screws
34	P-24417	Socket Head Screws
35	P-97443	Dead Blow Mallet
36	P-97451	Carrying Case