

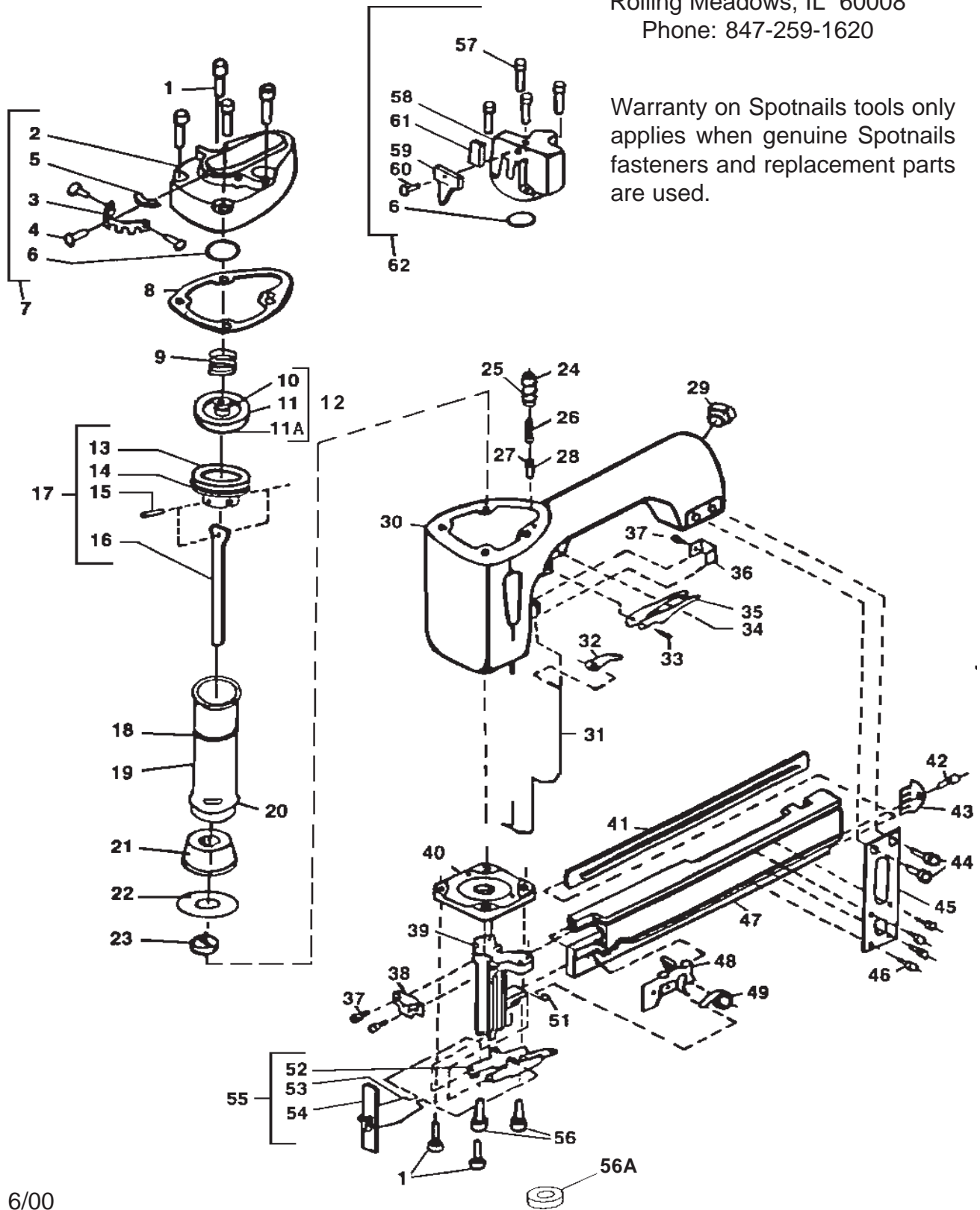
MODEL HLB 1516

MODEL HLB1516P



1100 Hicks Rd.
 Rolling Meadows, IL 60008
 Phone: 847-259-1620

Warranty on Spotnails tools only applies when genuine Spotnails fasteners and replacement parts are used.



SPOTNAILS MODEL HLB1516

Ref. No.	Part No.	Description
1	P-24072	Screw
2	P-60117	Cap
3	P-70010	Exhaust Deflector
4	P-24048	Screw
5	P-70014	Deflector Mesh
6	P-15016	Exhaust Seal
7	AS-60032	Cap Assembly
8	P-62019	Gasket
9	P-18047	Poppet Spring
10	P-64033	Poppet Stem O-Ring
11	P-64028	Poppet O-Ring
11A	AS-63016	Poppet
12	AS-63020	Poppet Assembly
13	P-66076	Piston
14	P-64228	Piston O-Ring
15	P-07016	Driver Blade Pin
16	P-06173	Driver Blade
17	AS-66108	Piston/Blade Assembly
18	P-64069	Cylinder O-Ring
19	P-05048	Cylinder
20	P-64035	Cylinder O-Ring
21	P-15129	Bumper
22	P-32091	Cylinder Spacer
23	P-15071	Return Seal
24	P-22040	Bleeder Valve Body
25	P-64032	Valve Body O-Ring
26	P-18050	Plunger Spring
27	P-64040	Plunger O-Ring
28	P-22085	Valve Plunger

Ref. No.	Part No.	Description
29	P-30000	Bushing
30	AS-01138	Body Assembly
31	P-53074	Safety Yoke
32	P-21022	Trigger - Secondary
33	P-07078	Trigger Pin
34	P-07023	Bleeder Valve Pin
35	P-21024	Trigger - Primary
36	P-52027	Retainer Clip
37	P-24037	Screw
38	P-10201	Front Plate
39	P-08374	Wear Plate
40	P-60095	Bottom Plate
41	P-28052	Pin Support Bar
42	P-24198	Thumb Screw
43	P-29002	Retainer
44	P-24103	Screw
45	P-13016	Magazine Bracket
46	P-24042	Screw
47	AS-12124	Magazine
48	P-09116	Pusher
49	P-18132	Negator Spring
51	P-18131	Spring Clip
52	AS-04008	Latch Assembly
53	P-18139	Retainer Spring
54	P-10199	Removable Front Plate
55	AS-04009	Quick Clear Latch Assy.
56	P-24047	Screw
56A	P-96070	Rubber Tip

USED TO MAKE MODEL HLB 1516P

Ref. No.	Part No.	Description
57	P-24047	Screw
58	AS-60035	Power Cap
59	P-70012	Exhaust Deflector

Ref. No.	Part No.	Description
60	P-24037	Screw
61	P-70013	Deflector Mesh
62	AS-60036	Power Cap Assembly

FASTENERS HANDLED

1509 to 1516 1 1/8" to 2"