

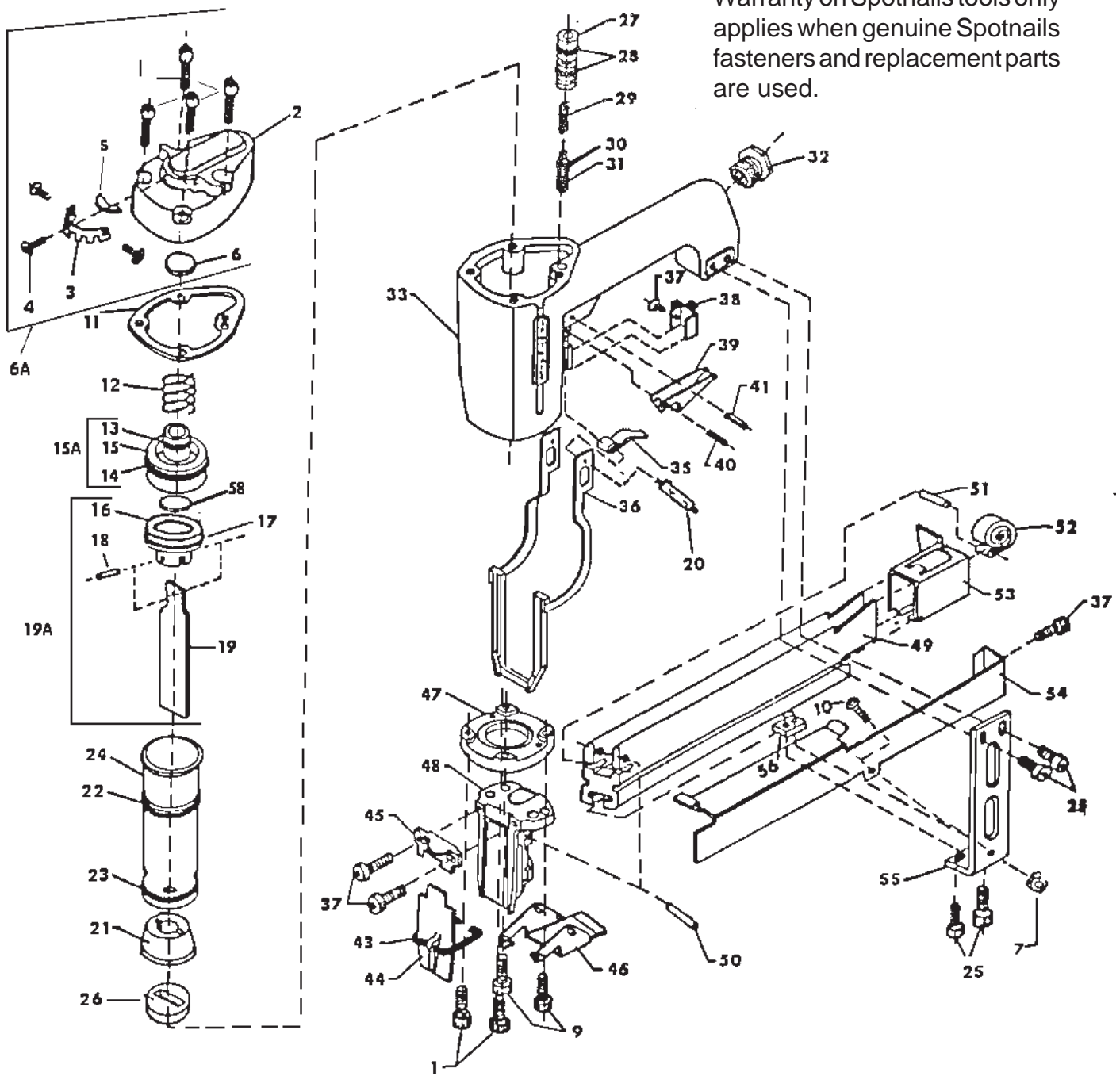
MODEL HL1616A

MODEL HL1616AP

SPOTNAILS®
DIVISION OF PEACE INDUSTRIES, LTD.

1100 Hicks Rd.
Rolling Meadows, IL 60008
Phone: 847-259-1620

Warranty on Spotnails tools only
applies when genuine Spotnails
fasteners and replacement parts
are used.



SPOTNAILS MODEL HL1616A

Ref. No.	Part No.	Description
1	P-24072	Screw
2	P-60117	Cap
3	P-70010	Exhaust Deflector
4	P-24048	Screw
5	P-70014	Exhaust Deflector Mesh
6	P-15016	Exhaust Seal
6A	AS-60032	Complete Cap Assembly
9	P-24047	Screw
10	P-24041	Screw
11	P-62019	Cap Gasket
12	P-18047	Poppet Spring
13	P-64033	Stem Poppet O-Ring
14	P-64028	Poppet O-Ring
15	AS-63016	Poppet
15A	AS-63020	Poppet Assembly Complete
16	P-66076	Piston
17	P-64228	Piston O-Ring
18	P-07016	Driver Blade Mounting Pin
19	P-06169-S	Driver Blade
19A	AS-66097-S	Piston Driver Blade Assy.
20	P-07145	Safety Yoke Pin
21	P-15129	Bumper
22	P-64069	Cylinder O-Ring Top
23	P-64035	Cylinder O-Ring
24	P-05048	Cylinder
25	P-24103	Bracket to Body Screws
26	P-15070	Return Seal
27	P-22040	Bleeder Valve Body
28	P-64032	Bleeder Valve Body O-Ring

Ref No.	Part No.	Description
29	P-18050	Plunger Spring
30	P-64040	Plunger O-Ring
31	P-22057	Bleeder Valve Plunger
32	P-30000	Bushing
33	AS-01138	Body Assembly
35	P-21046	Trigger Secondary
36	AS-53013	Safety Yoke Assembly
37	P-24037	Screw
38	P-53080	Safety Yoke Retainer Clip
39	P-21036	Trigger Primary
40	P-07078	Trigger Pin
41	P-07023	Bleeder Valve Pin
42	P-24103	Screws
43	P-18136	Retainer Spring
44	P-10221	Removable Front Plate
45	P-10204	Stationary Front Plate
46	AS-04017	Latch Assembly
47	P-60098	Bottom Plate
48	P-08389	Wear Plate
49	AS-27036	Center Bar Assembly
50	P-07139	Center Bar to Wear Plate Pin
51	P-18137	Negator Spring Pin
52	P-18138	Negator Spring
53	P-09114	Pusher
54	P-12184	Track Cover
55	P-13019	Bracket
56	P-26083	Nut Plate
57	P-26041	Nut
58	P-64244	Cylinder Seal O-Ring

FASTENERS HANDLED

1605 to 1616 5/8" to 2"